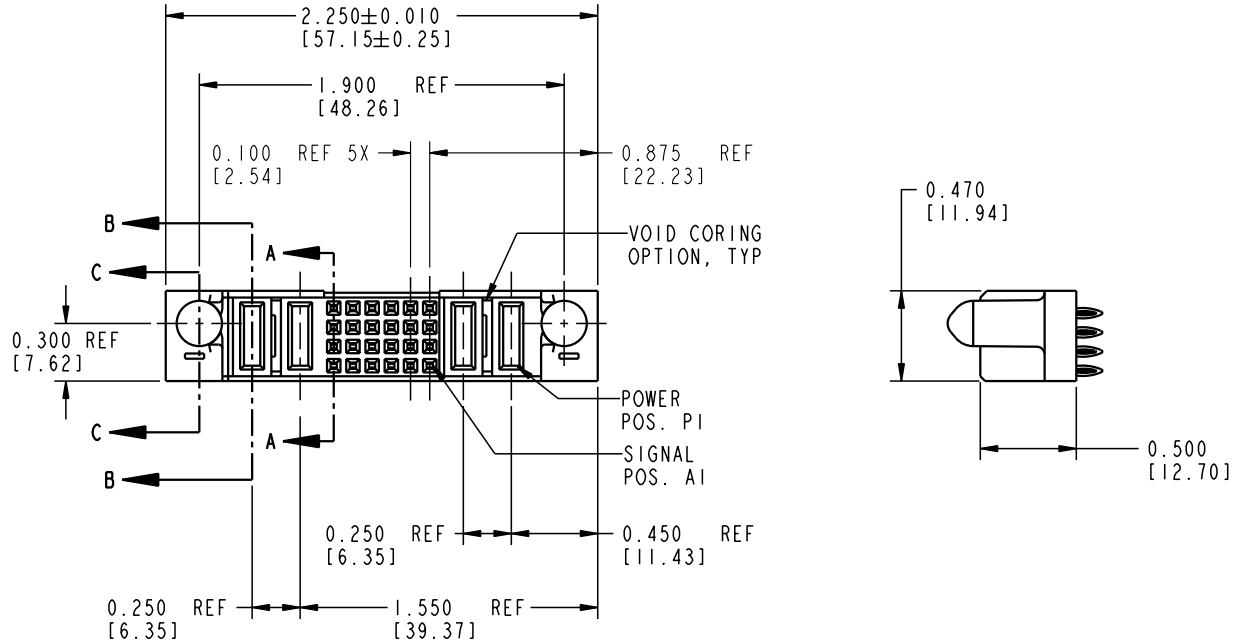


Tous droits strictement réservés. Reproduction ou communication o des tiers interdite sous quelque forme que ce soit sans autorisation écrite du propriétaire. Propriété de c FCI. Droits de reproduction FCI.

All rights strictly reserved. Reproduction or issue to third parties in any form whatever is not permitted without written authority from the proprietor. Property of FCI. Copyright FCI.

PRODUCT No.	ROWS	POWER		SIGNAL					POWER		E1		
		E2	P4	P3	6	5	4	3	2	1		P2	P1
51740-10202402CC	D		PC	PC	F	F	F	F	F	F	PC	PC	
	C				F	F	F	F	F	F			
	B				F	F	F	F	F	F			
	A				F	F	F	F	F	F			



CODE	CONTACT TYPE
PC	POWER
F	SIGNAL

mat'l code		NOTE 1		tolerances unless otherwise specified		CUSTOMER				www.fciconnect.com	
ltr	ecn no.	dr	date	linear	.XX±.01/0.X±0.3		COPY		title		
A	V02747	CGD	11/13/00		.XXX±.005/0.XX±0.13		projection		2P + 24S + 2P		
B	V04-0621	TAB	06/10/04		.XXX±.0020/.XXX±.051				VERTICAL PRESS-FIT TAIL RECEPTACLE		
C	V04-0640	TAB	06/16/04	angles	0°±2°		INCH/MM		product family		code
				dr	C. DAILY	11/13/00	scale		PwrBlade		213
				engr	J. DODDS	11/13/00	1:1		size		sheet
				chr	J. DODDS	11/13/00			A		1 of 2
				appd	J. DODDS	11/13/00			51740-10202402CC		
sheet index	revision sheet	C	C								
		1	2								

Pro/E

cage code 22526

PDM: Rev:C

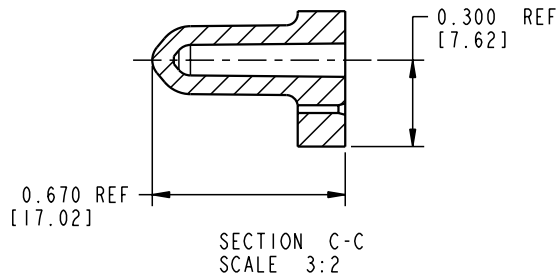
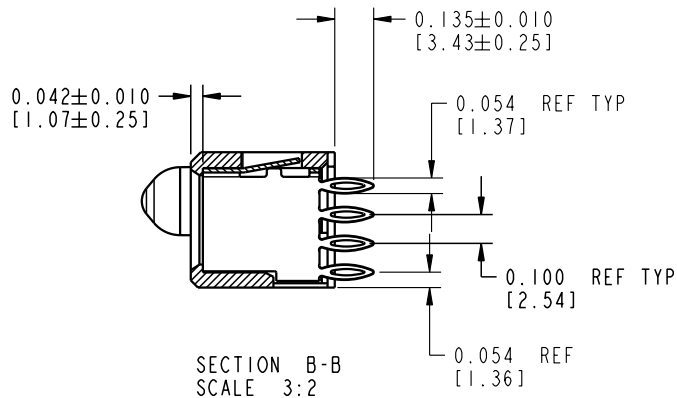
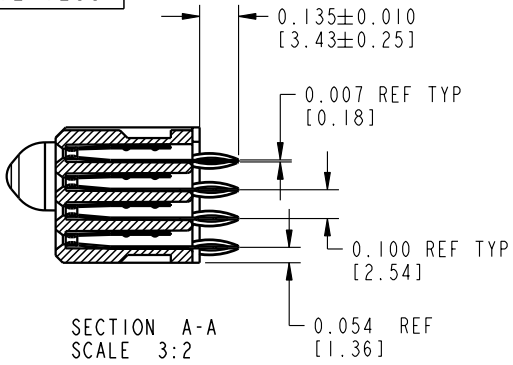
STATUS: Released

Printed: Aug 14, 2007

Tous droits strictement réservés. Reproduction ou communication o des tiers interdite sous quelque forme que ce soit sans autorisation écrite du propriétaire. Propriété de c FCI. Droits de reproduction FCI.

All rights strictly reserved. Reproduction or issue to third parties in any form whatever is not permitted without written authority from the proprietor. Property of FCI. Copyright FCI.

PRODUCT NUMBER
51740-10202402CC

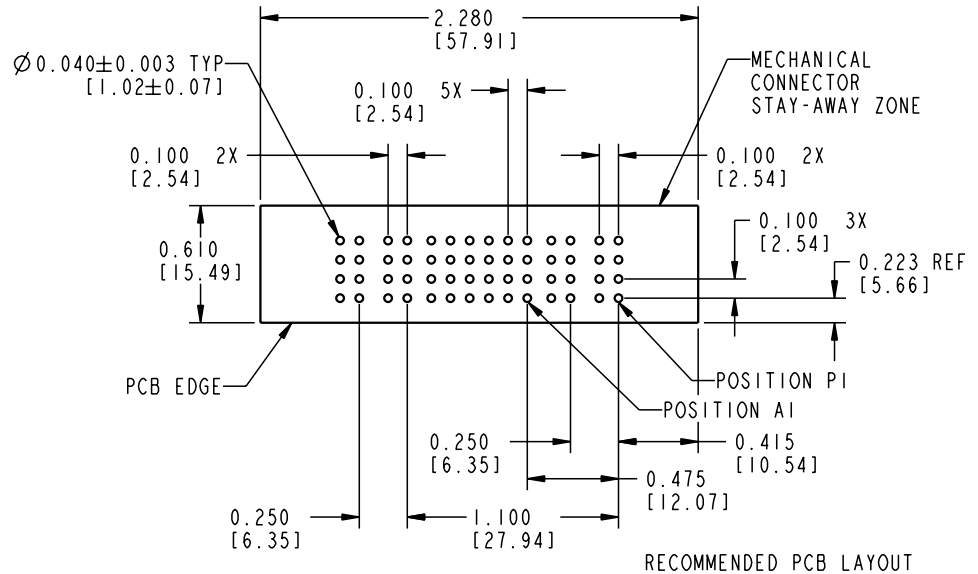


CONNECTOR NOTES:

1. FOR ADDITIONAL INFORMATION, REFER TO DRAWING NUMBER 51740

PCB NOTES:

2. ALL DIMENSIONS ARE BASIC UNLESS OTHERWISE SPECIFIED
3. ALL THROUGH HOLES ARE LOCATED WITH A TRUE POSITION OF 0.004 [0.10]
4. ALL HOLE DIAMETERS ARE FINISHED HOLE SIZE
5. $\varnothing 0.0453 \pm 0.0010$ [1.151 ± 0.025] DRILLED HOLES PLATED WITH 0.0003 [0.007] MIN SnPb OVER 0.001 [0.03] TO 0.003 [0.08] Cu PLATING TO ACHIEVE A $\varnothing 0.040 \pm 0.003$ [1.02 ± 0.07] HOLE



mat'l code		NOTE 1		tolerances unless otherwise specified		CUSTOMER		 www.fciconnect.com	
ltr	ecn no.	dr	date	linear	.XX±.01/0.XX±0.3	COPY		title	
C				projection	.XXX±.005/0.XX±0.13			2P + 24S + 2P VERTICAL PRESS-FIT TAIL RECEPTACLE	
				angles	.XXX±.0020/.XXX±.051	INCH/MM		product family	
				dr	0°±2°	scale		PwrBlade	
				enr	C. DAILY 11/13/00	1:1		code	
				chr	J. DODDS 11/13/00			size	
				appd	J. DODDS 11/13/00			dwg no	
sheet index	revision sheet							A 51740-10202402CC	
								213	
								sheet 2	

Pro/E

cage code 22526

PDM: Rev:C

STATUS: Released

Printed: Aug 14, 2007